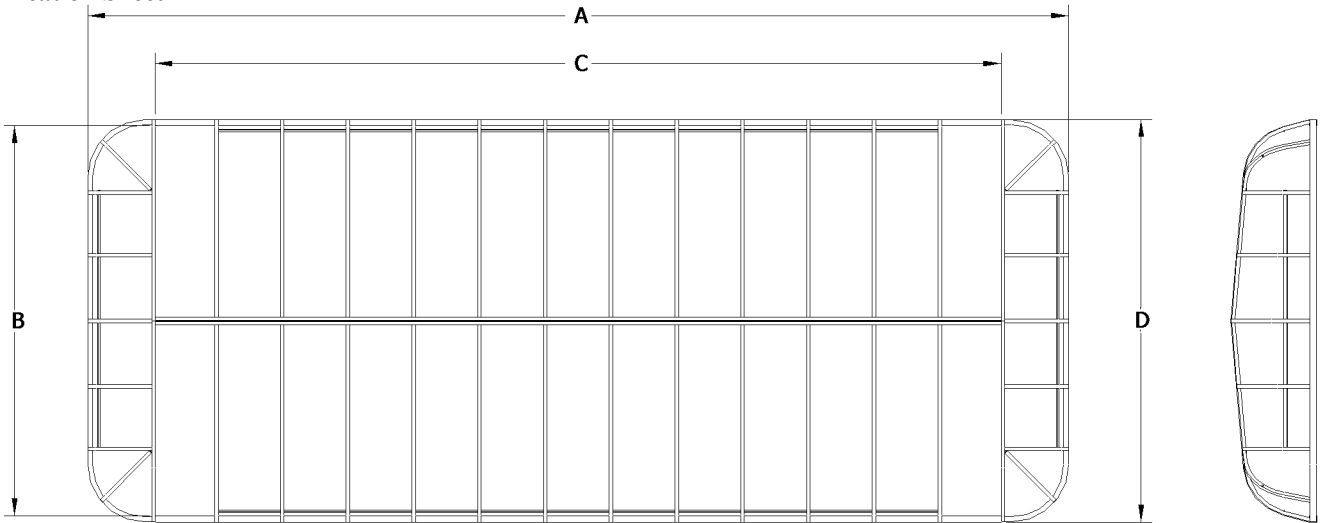


Attn: Whiskey Creek Trading

**Harbor Master® Frame  
Specification Sheet**



**\*ALL MEASUREMENTS (±1")**

PART NO.	SIZE	OVERALL LENGTH "A"	INSIDE WIDTH "B"	SIDE RAIL LENGTH "C"	OUTSIDE WIDTH "D"
HM1900084	19' X 84"	19' 1-1/2"	84"	15' 10"	87 1/2"
HM2100096	21' X 96"	21' 1-1/2"	96"	17' 10"	99 1/2"
HM1800100	18' X 100"	18' 1-1/2"	100"	14' 10"	103 1/2"
HM2100100	21' X 100"	21' 1-1/2"	100"	17' 10"	103 1/2"
HM2100108	21' X 108"	21' 1-1/2"	108"	17' 10"	112"
HM2400108	24' X 108"	24' 1-1/2"	108"	20' 10"	112"
HM2400114	24' X 114"	24' 1-1/2"	114"	20' 10"	118"
HM2700114	27' X 114"	27' 1-1/2"	114"	23' 10"	118"
HM2400120	24' X 120"	24' 1-1/2"	120"	20' 10"	124"
HM2700120	27' X 120"	27' 1 1/2"	120"	23' 10"	124"

**ATTACHMENT**

Hooked bungee attaches to d-rings and hook over aluminum rod on frame.

STANDARD VALANCE: 12" VALANCE

**OUTSIDE DIMENSIONS**

- A \_\_\_\_\_ OVERALL LENGTH OF FRAME
- B \_\_\_\_\_ INSIDE WIDTH OF FRAME
- C \_\_\_\_\_ LENGTH OF SIDE RAILS (W/O ENDS)
- D \_\_\_\_\_ OUTSIDE WIDTH OF FRAME

**\*\*If dimensions don't match above,  
fill out detail sheet on page 2\*\***

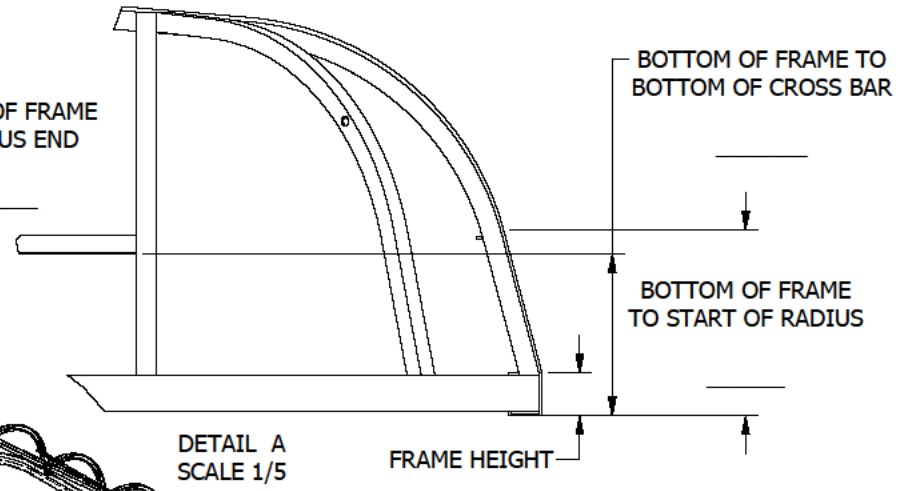
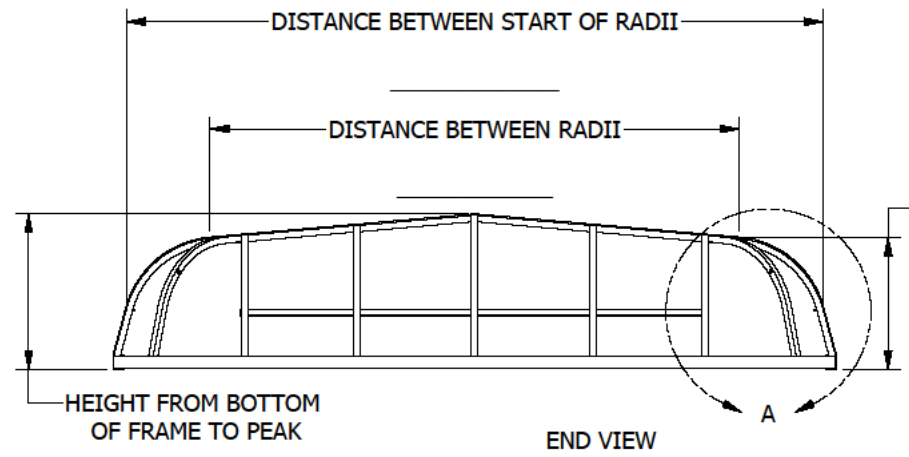
**CONTACT INFORMATION**

Name \_\_\_\_\_  
 Address \_\_\_\_\_  
 City \_\_\_\_\_ State \_\_\_\_\_ Zip \_\_\_\_\_  
 Phone \_\_\_\_\_ Fax \_\_\_\_\_  
 Boat Lift Brand \_\_\_\_\_

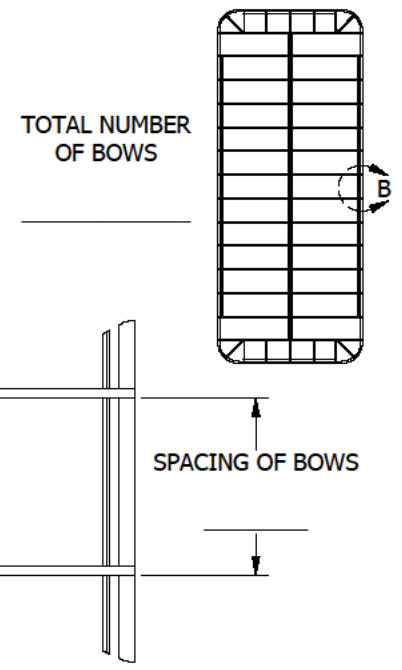
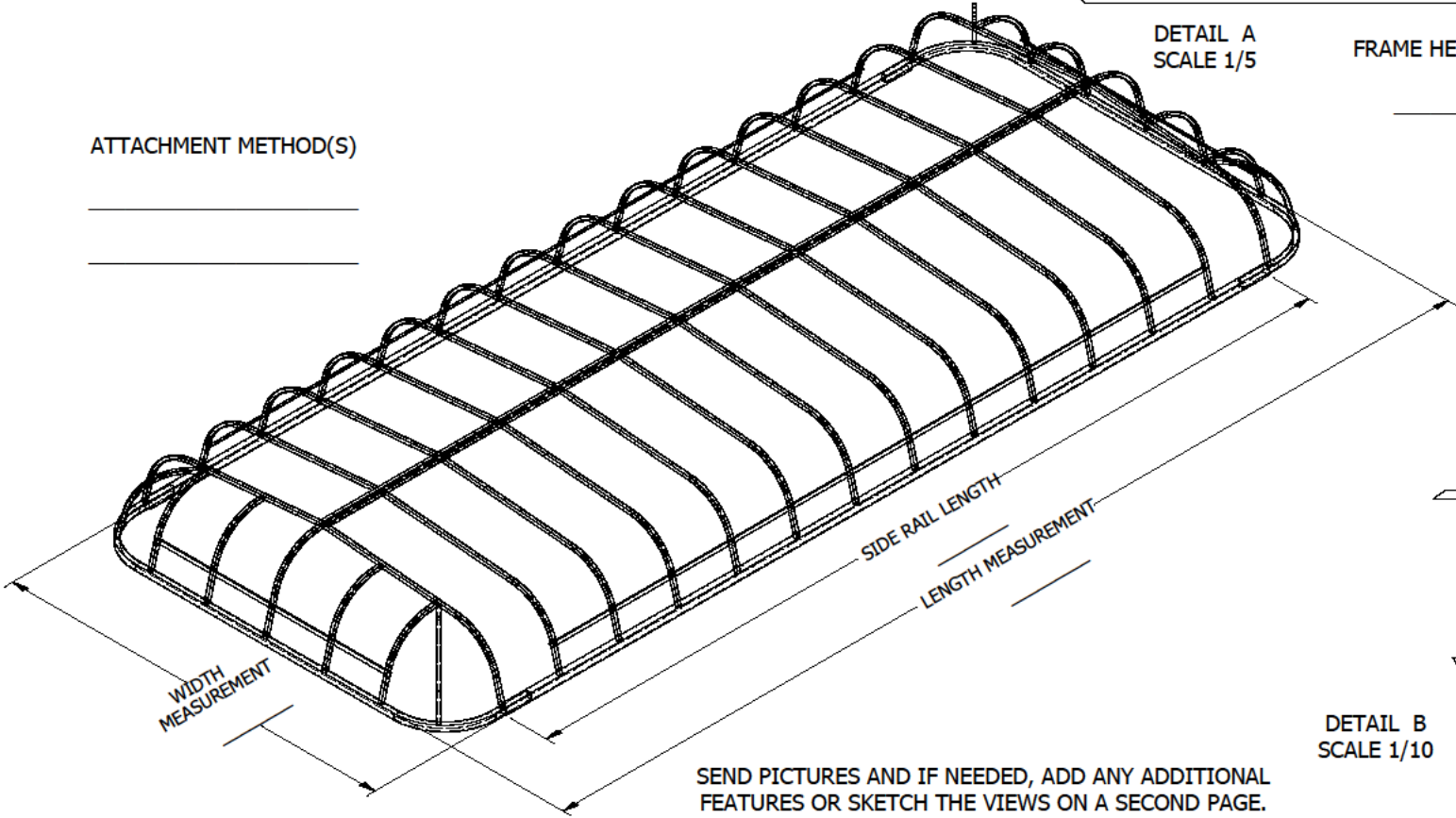
**NOTES**

\_\_\_\_\_  
 \_\_\_\_\_  
 \_\_\_\_\_

REVISIONS				
REV	ECN	DATE	DESCRIPTION	ISSUER
A	EC-00469	10/4/2016	RELEASE	RML

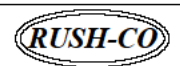


ATTACHMENT METHOD(S)  
 \_\_\_\_\_  
 \_\_\_\_\_



SEND PICTURES AND IF NEEDED, ADD ANY ADDITIONAL FEATURES OR SKETCH THE VIEWS ON A SECOND PAGE.

TOLERANCES - UNLESS NOTED  
 DECIMAL ±  
 FRACTION ±  
 ANGLE ±  
**NOTICE**



1314 Walnut St. - Springfield, SD 57062 605-369-6000

THIS ILLUSTRATION IS THE PROPERTY OF RUSH-CO, AND MUST NOT BE USED IN ANY WAY DETRIMENTAL TO RUSH-CO'S INTERESTS.

TITLE: <b>ROUND CORNER FRAME DETAIL SHEET</b>		SIZE <b>C</b>
DRFT: RML	DATE 4/2/2014	SHEET 1 / 1
ENGR: CWG	DATE 10/10/2016	
PART NO: <b>F-134</b>		